



N3A

**Proven Rockwell tester:
Made in Austria.**

**15–187.5 kgf
Rockwell
HBT, HVT**

The N3 Hardness Tester: Delivering Quality for 70 Years

Precision and innovation since 1954.

The N3 hardness tester has played a central role in EMCO-TEST's success story since 1954. As the first product with which we began our journey, the N3 symbolizes our beginnings as well as our long-standing tradition in hardness testing.

Simple handling and flexibility

The N3 hardness tester impresses with its user-friendly operation, which requires minimal training. Its design enables a quick and uncomplicated load change, whereby different loads can be adapted by simply replacing the spring sleeve. This ensures a high degree of adaptability in various testing tasks and facilitates use in a wide range of applications.

Maximum precision and robustness

The proven spring principle, which has been used in the N3 since 1954, guarantees high repeat accuracy and precise test results. The N3 is designed to withstand external influences and deliver precise results even under high loads. The robust design prevents overshooting and

enables a stable, clamped test position, which is particularly advantageous for challenging workpieces.

Compact, versatile, and sustainable

The N3 takes up very little space and can be set up flexibly, making it ideal for a variety of work environments. Its robust design and the possibility to use it in clamped and unclamped testing situations make the N3 a versatile tool. The durable and maintenance-free construction of the testing instrument also contributes to sustainability and makes the N3 a long-term investment. The guaranteed availability of spare parts for at least 10 years after product discontinuation offers additional security.

In use since 1967, calibrated and fully functional to this day.



High efficiency at a low cost.

Simple handling paired with a robust design.

Dial gauge

With the N3A hardness tester, the measured value is displayed via an analog dial gauge. Three color scales are printed on the dial. Depending on the selected test method and test load, the hardness value is read off the scale.



Handwheel

The solid handwheel enables quick height adjustment of the test table and, if necessary, allows the specimen to be securely clamped before the test. Precise manufacturing guarantees reliable test results, while the high-quality bellows protect the system and ensure smooth operation for years to come.



Rockwell

To ISO 6508, ASTM E18

HRA - HRZ	HR15-N/T/W
HR30-N/T/W	HR45-N/T/W

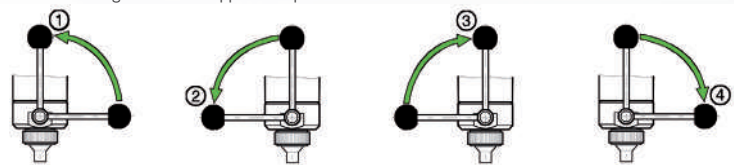


HVT, HBT

(not standardized)

HVT 5 to HVT 100
HBT 1/5 to 2.5/187.5, HBT 5/250

Schematic diagram for load application process



1. Application of preload
2. Application of main load
3. Application of second preload
4. Back to starting position

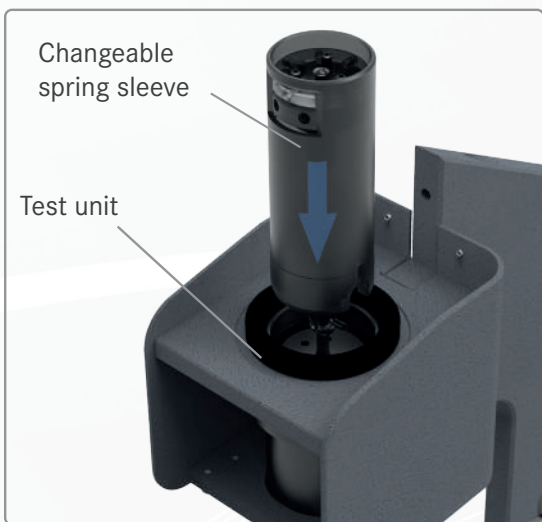
Proven technology.

The ideal solution for simple test tasks.



Clamped Testing.

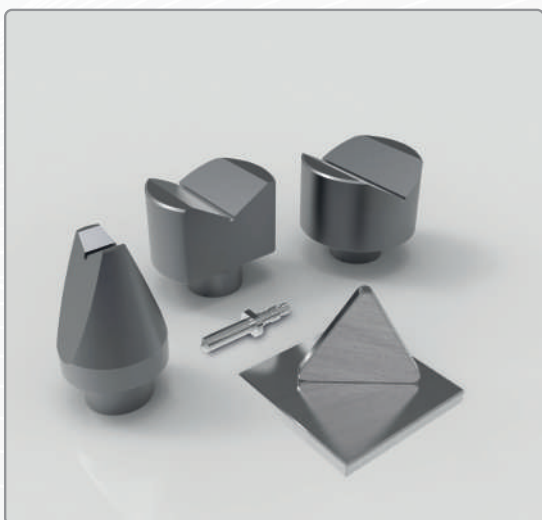
The exchangeable test insert, which is permanently mounted on the nose cone, has several key advantages. It encloses the indenter and protects it against damage. It provides a defined stop when positioning the test piece under the indenter. It clamps the specimen against the support table before and during the test and thus prevents movements that could impair the measurement result (e.g. due to dust, oil or burrs under the test piece).



Changeable test loads.

The N1A test unit with changeable spring sleeves is used for different load levels. (Spring sleeves with various load levels).

Spring sleeve N2H	Test load 3/15 kg
Spring sleeve N2C	Test load 3/30 kg
Spring sleeve N2L	Test load 3/45 kg
Spring sleeve N2E	Test load 10/60 kg
Spring sleeve N2F	Test load 10/100 kg
Spring sleeve N2A	Test load 10/150 kg



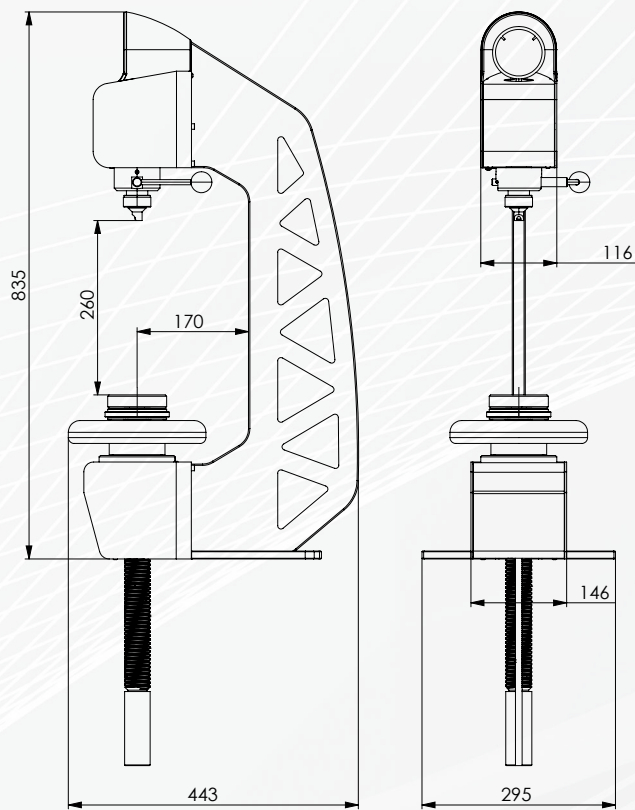
Accessories

Expand the functionality of your testing instrument with suitable accessories. Our range of specimen mounts, test tables, and indenters enables customized solutions for a wide variety of requirements. Discover the possibilities at

www.emcotest.com.

Technical data.

All key data at a glance.



Measured value display	Analog via dial gauge
Height adjustment	By handwheel
Test height	260 mm
Throat	170 mm
Max. work piece weight	20 kg
Dimensions W x H x D	295 x 835 x 443 mm
Weight of basic device	35 kg
Ambient temperature	5-40°

Benefit from our worldwide sales and service network!

Find your local contact at www.emcotest.com



• Austrian head office

More at emcotest.com

EMCO-TEST

EMCO-TEST Prüfmaschinen GmbH

Kellau 174

5431 Kuchl-Salzburg/Austria

office@emcotest.com

Tel. +43 6244 204 38

www.emcotest.com

Fax +43 6244 204 38-8

