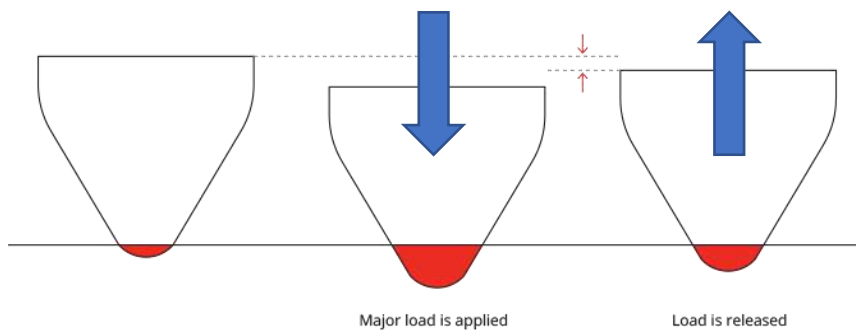


digi test II

2. GENERATION

Automatic Hardness Tester for Shore, IRHD & VLRH

Hardness is one of the most widely measured **properties used to characterize rubber**. There are two scales used throughout the world- **IRHD scale** and **SHORE scale**.



Source: Paper No. 131 by R. Morgans

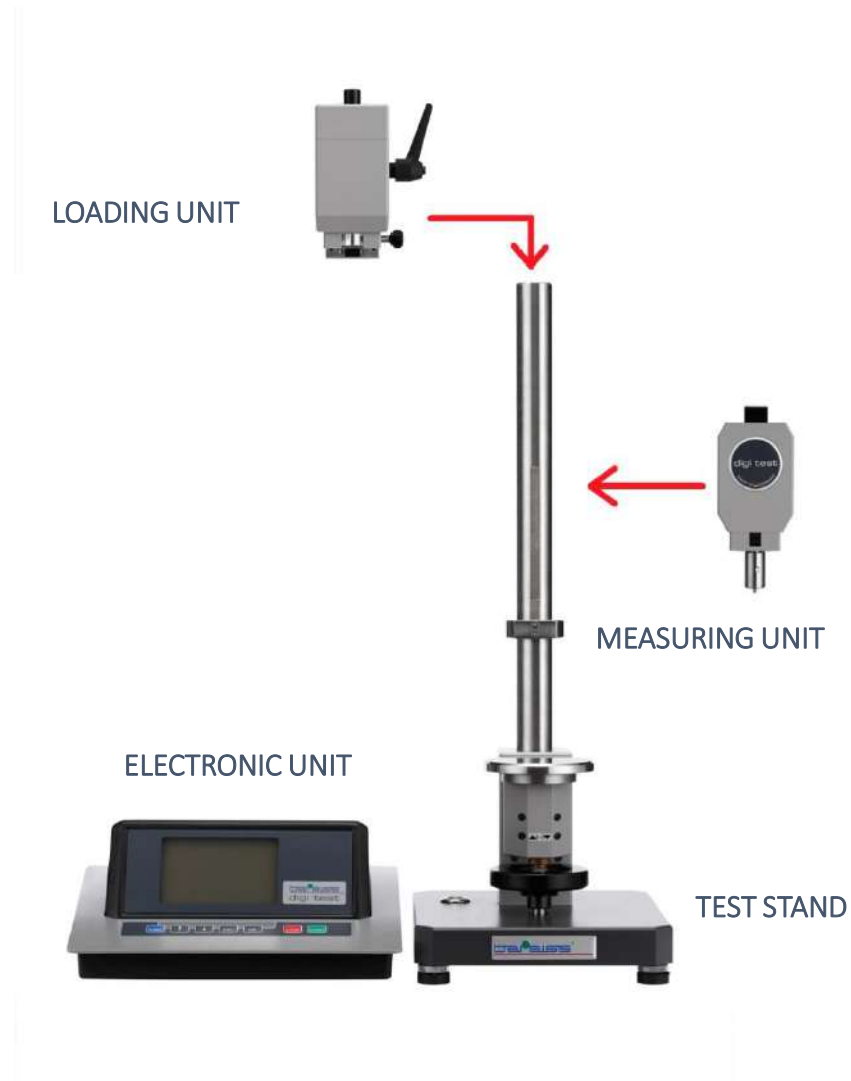
Hardness testing on finished parts and test buttons with the modular Hardness Tester digi test II



...since 1972



Easy to assemble,
no tools needed.



A truly *PLUG-N-PLAY* system

Changing the measuring method on digi test II is only about 3 simple steps and it can be completed in just 10 sec.



② Plug/Unplug any measuring unit as desired and afterwards, tighten the thumbscrew



① Loosen the thumbscrew with your hand



③ Simply press „Start“ to enable a hardness test





For the complete Shore, IRHD and VLRH range



Standard Buttons

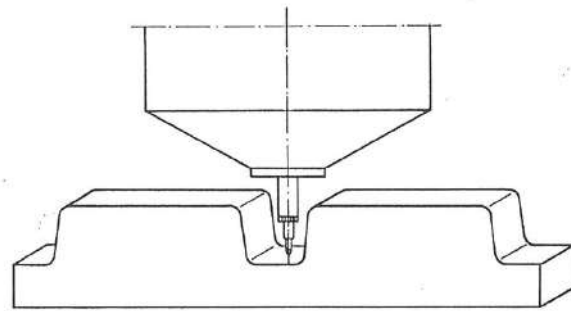


Finished Products

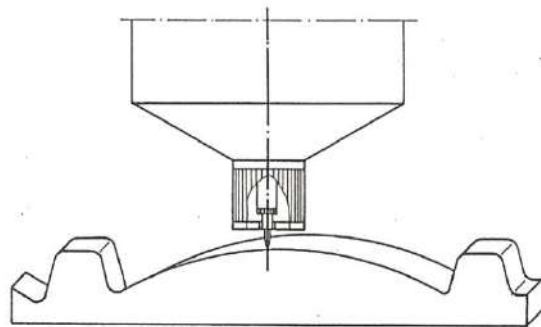


Thin-walled Material

Making hardness testing possible on concave and convex surfaces.



Concave Surface



Convex Surface



Shore A/B/0



Shore D/C/D0

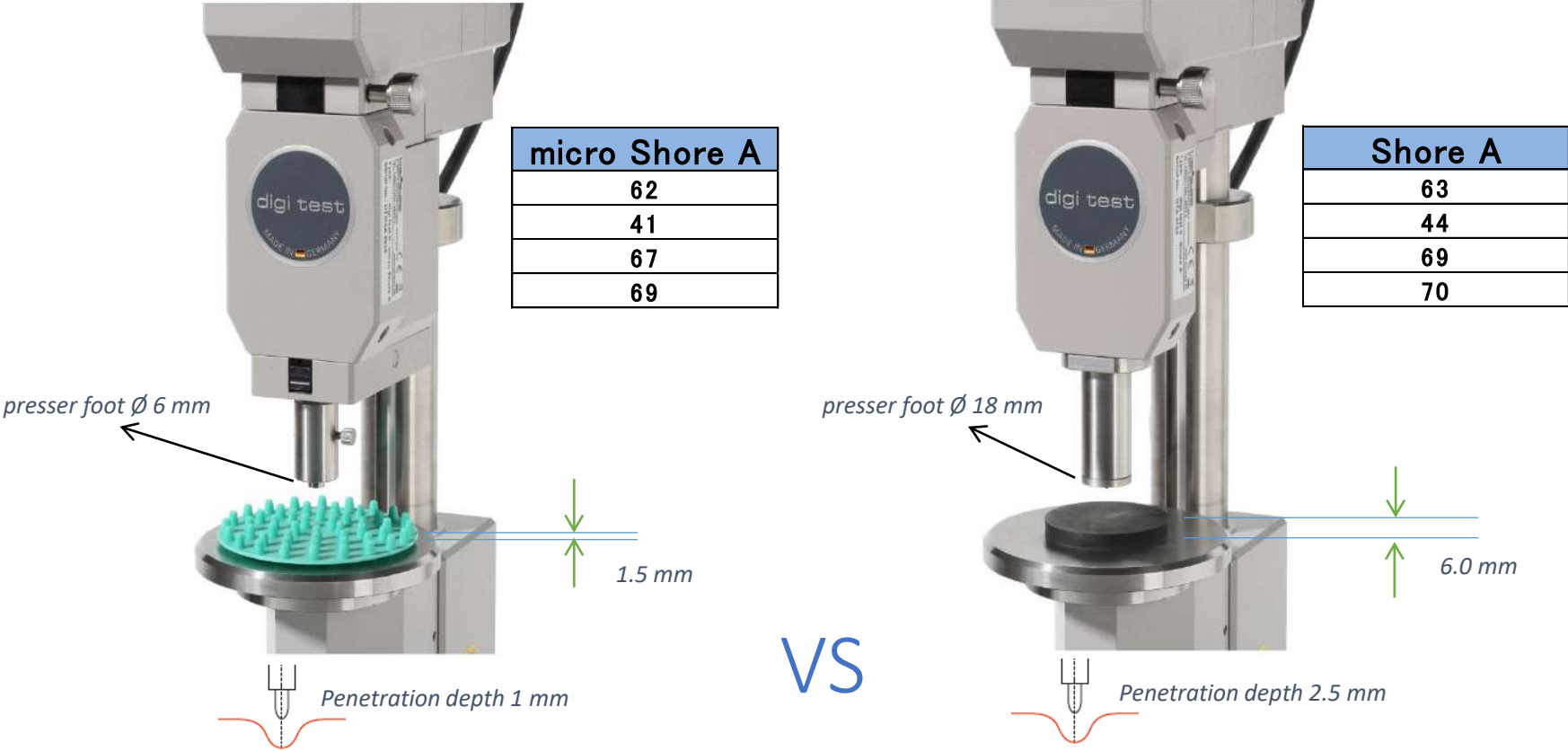
Making hardness testing possible on specimens with a material thickness under 6.0 mm.



micro Shore A

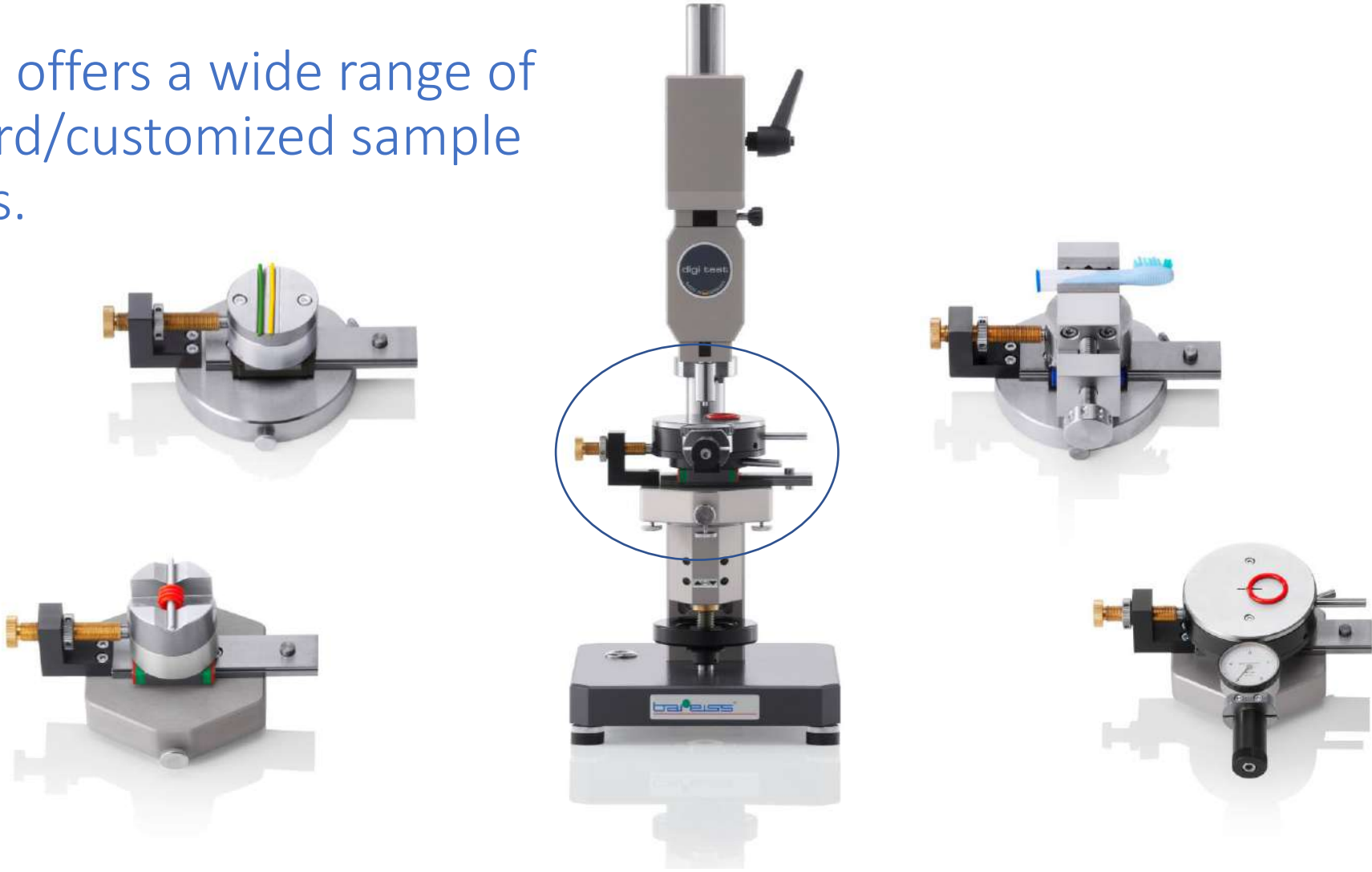
micro Shore D

Micro Shore A vs. Shore A



The technology solely developed by Bareiss to generate comparable Shore A measuring values on specimens from **as thin as 1 mm to the standard thickness**. The solution is widely adopted by many well-known customers in different industries.

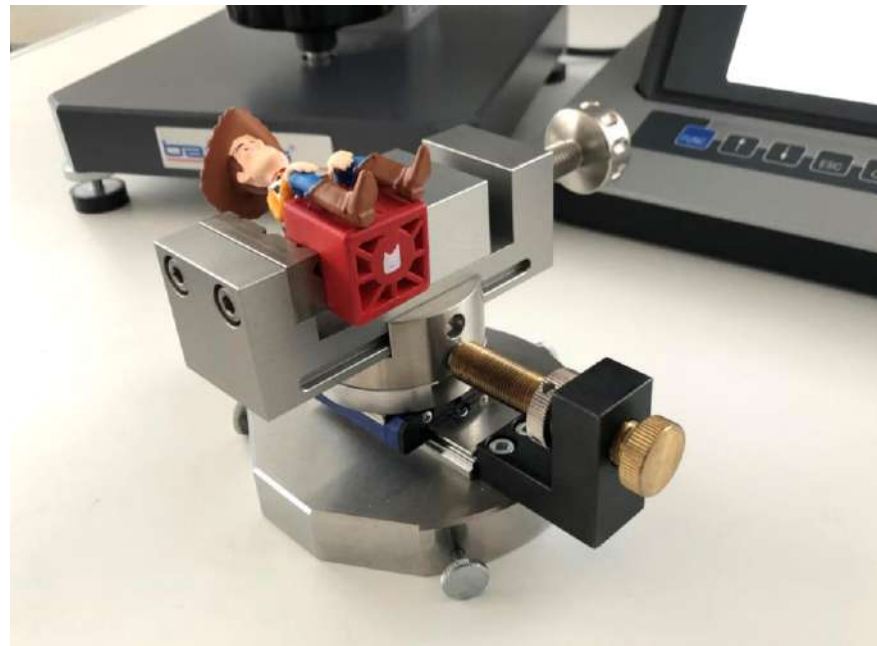
Bareiss offers a wide range of standard/customized sample fixtures.



Hardness testing on finished products. One example:



Embedding compound



Sample fixture

Your choice of using digi test II with or without PC

digi test II can work as a standalone system as the electronic unit not only working as the main control of the system, it also provides basic testing information with its large LCD display. When more sophisticated data analysis and making a test report are required, a PC in combination with software can be considered.



digi test II with PC and Software



digi test II as a standalone system

ISO/IEC 17025

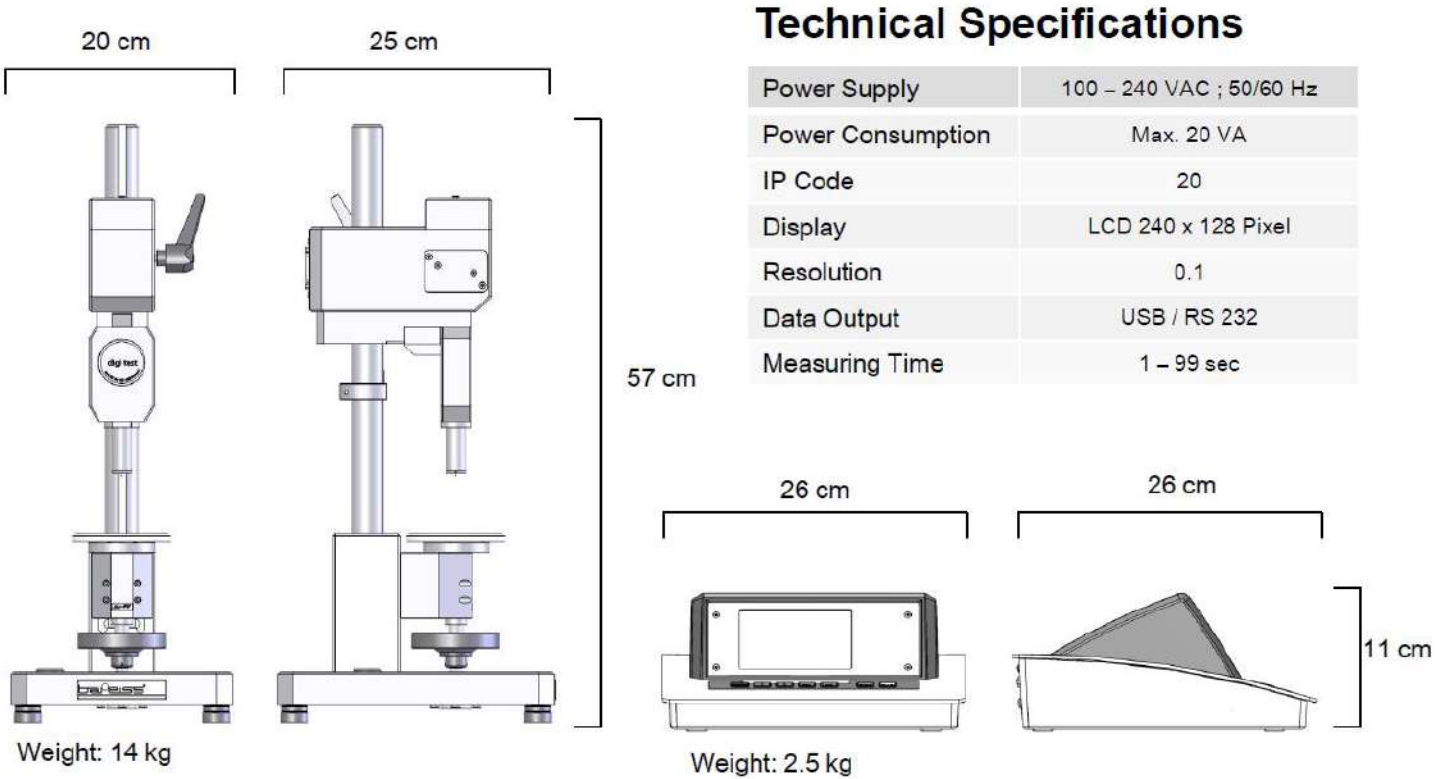
Bareiss was the **very first DAkkS calibration laboratory** for Hardness Testing on Rubber and Plastics in Germany.

- ✓ Measuring distance
- ✓ Force
- ✓ Indenter (geometry)



Weight and Dimensions

The complete digi test II system weighs not more than 25 kg and stands not more than 60 cm tall. Its compact size and light weight don't compromise the robustness of the structure. 80 % of the system is made of high quality aluminum alloys.



Available scales for
Shore, IRHD and VLRH

bareiss®							
MEASURING METHOD	STANDARDS	TOTAL FORCE	CLAMPING FORCE	INDENTER	PRESSURE PLATE	MEASURING PATH	MEASURING RANGE
IRHD M	DIN ISO 48-2	153,3 mN	235 mN	∅ 0,395 mm	∅ 3,35 mm	0,3 mm	30 – 100
IRHD N	DIN ISO 48-2	5,7 N	8,3 N	∅ 2,5 mm	∅ 20 mm	1,8 mm	30 – 100
IRHD H	DIN ISO 48-2	5,7 N	8,3 N	∅ 1,0 mm	∅ 20 mm	0,44 mm	85 – 100
IRHD L	DIN ISO 48-2	5,7 N	8,3 N	∅ 5,0 mm	∅ 22 mm	2,08 mm	9,9 – 34,9
VLRH	DIN ISO 48-3	100,0 mN	250 mN	∅ 2,5 mm	∅ 6,0 mm	1,0 mm	0 – 100
Pusey & Jones	ASTM D531 DIN ISO 48-8	1000 g	-	∅ 3,175 mm	-	3,0 mm	0 – 300
Gelomat 0 – 2 N		2 N	-	∅ 3,57 mm	-	2,5 mm	0 – 2
Gelomat 0 – 20 N		20 N	-	∅ 10,0 mm	-	2,5 mm	0 – 20
Shore A	ASTM D2240 EN ISO 868 DIN ISO 48-4	8050 mN	1 kg	35°	∅ 18 mm	2,5 mm	0 – 100
S. AM/M	ASTM D2240 DIN ISO 48-4	764 mN	250 g	30°	∅ 9 mm	1,25 mm	0 – 100
Shore E	ASTM D2240	8050 mN	1 kg	∅ 5 mm	≥ 500 mm ²	2,5 mm	0 – 100
Shore A0	DIN ISO 48-4	8050 mN	1 kg	∅ 5 mm	≥ 500 mm ²	2,5 mm	0 – 100
L / L/c		8050 mN	1 kg	∅ 5 mm	∅ 18 mm	2,5 mm	0 – 100

Available scales for Shore, IRHD and VLRH

Shore D	ASTM D2240 EN ISO 868 DIN ISO 48-4	44450 mN	5 kg	30°	∅ 18 mm	2,5 mm	0 – 100
Shore B	ASTM D2240	8050 mN	1 kg	30°	∅ 18 mm	2,5 mm	0 – 100
Shore C	ASTM D2240	44450 mN	5 kg	35°	∅ 18 mm	2,5 mm	0 – 100
Shore D0	ASTM D2240	44450 mN	5 kg	3 / 32"	≥ 500 mm ²	2,5 mm	0 – 100
Shore 0	ASTM D2240	8050 mN	1 kg	3 / 32"	∅ 18 mm	2,5 mm	0 – 100
Shore 00	ASTM D2240	1111 mN	400 g	3 / 32"	≥ 500 mm ²	2,5 mm	0 – 100
Shore 000	ASTM D2240	1111 mN	400 g	r = 6,35	≥ 500 mm ²	2,5 mm	0 – 100
Shore 000 S	ASTM D2240	1.932 mN	400 g	r = 10,70	≥ 500 mm ²	5,0 mm	0 – 100
M Shore A	TD 00002001	108 mN	235 mN	30°	∅ 6 mm	1 mm	0 – 100
M Shore D	TD 00002002	9120 mN	500 g	30°	-	0,9 mm	5,4 – 82,5
Asker C	SRIS 0101	8,382 N	1 kg	∅ 5,08 mm	≥ 500 mm ²	2,54 mm	0 – 100
Asker F	Factory Standard	4,462 N	0,5 kg	∅ 25,2 mm	∅ 80 mm	2,5 mm	0 – 100
Barcol	ASTM D2583 DIN EN 59	71,3 N	10 kg	26°	∅ 2 mm	0,76 mm	0 – 100

————— SOFT —————
————— MEDIUM —————
————— HARD —————

Please contact Bareiss for any questions.

Bareiss Prüfgerätebau GmbH

Breiteweg 1
89610 Oberdischingen,
Germany
sales@bareiss.de

Bareiss Shanghai Limited

Room B503, No.268 Tongxie Rd.,
Changning Dist., Shanghai 200335,
China
central@bareiss.cn

Bareiss North America Inc.

155 Mostar St, Unit 6
Stouffville, ON, L4A 0Y2,
Canada
info@bareiss-usa.com

